

# **DTMF Based Voting Machine**

## **Abstract:**

India is world's largest democracy. Fundamental right to vote or simply voting in elections forms the basis of Indian democracy. In India all earlier elections a voter used to cast his vote by using ballot paper. This is a long, time-consuming process and very much prone to errors. This situation continued till election scene was completely changed by electronic voting machine. No more ballot paper, ballot boxes, stamping, etc. all this condensed into a simple box called ballot unit of the electronic voting machine. Cell phone based voting machine is capable of saving considerable printing stationery and transport of large volumes of electoral material. It is easy to transport, store, and maintain. It completely rules out the chance of invalid votes. Its use results in reduction of polling time, resulting in fewer problems in electoral preparations, law and order, candidates' expenditure, etc. and easy and accurate counting without any mischief at the counting centre.

## **Introduction:**

The aim of our project is to design & develop a mobile based voting machine. In this project user can dial the specific number from any land line or mobile phone to cast his vote. Once the user is connected to the voting machine he can enter his password & choice of vote. If he has entered a valid choice & password his vote will be caste with two short

duration beeps. For invalid password/choice long beep will be generated. User is allotted 15 seconds to enter his password & choice. A reset button is provided for resetting the system. A total key is provided to display the result. We have also used non-volatile memory for storing all data. EEPROM will preserve all information in case of power failure. In this project all information is transmitted through DTMF tones.

### Block Diagram:

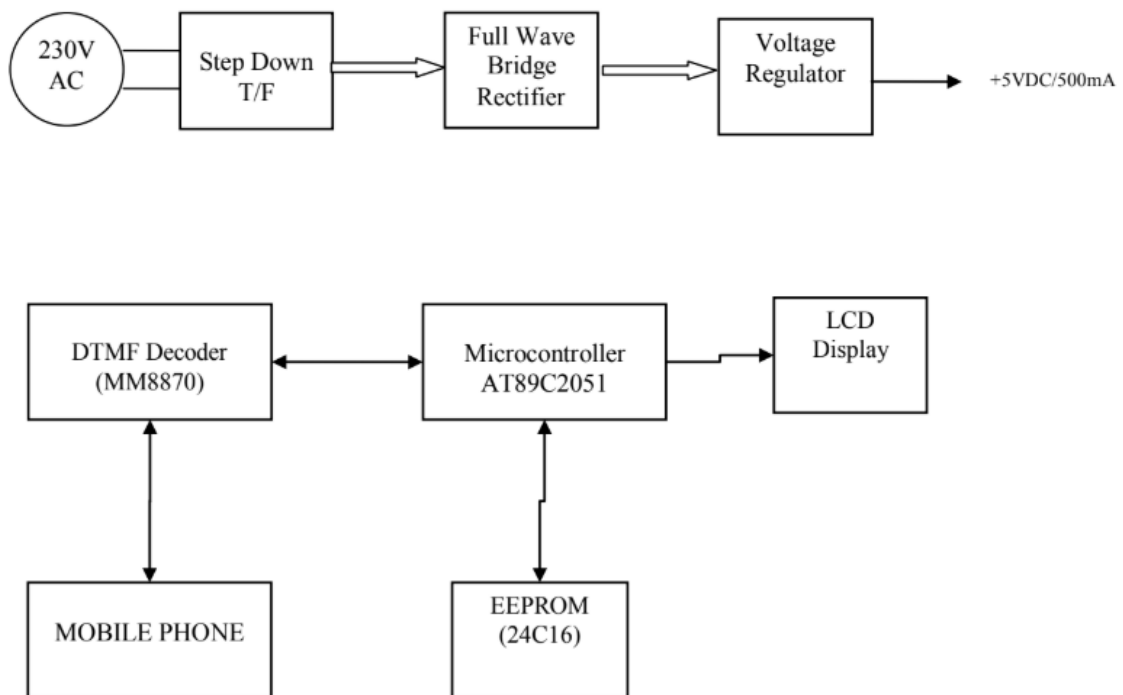


Figure No. 3.1: Block Diagram

## **Future Scope:**

- Number of candidates could be increased by using other microcontroller.
- It could be interfaced with printer to get the hard copy of the result almost instantly from the machine itself.
- It could also be interfaced with the personal computer and result could be stored in the central server and its backup could be taken on the other backend servers.
- Again, once the result is on the server it could be relayed on the network to various offices of the election conducting authority. Thus our project could make the result available any corner of the world in a matter of seconds

## **Area of Application:**

- Fast track voting which could be used in small scale elections, like resident welfare association, “panchayat” level election and other society level elections.
- It could also be used to conduct opinion polls during annual share holders meeting.
- It could also be used to conduct general assembly elections where number of candidates are less than or equal to eight in the current situation.
- It is used in various TV serials as for public opinion.